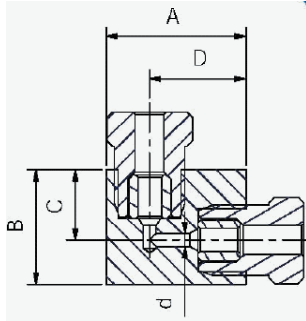


Fittings: MWP 4150 Bar

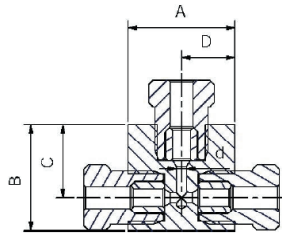
Elbows



MWP (Bar)	Tubing OD		A	B	C	D	E*	Orifice (d)	Connection		Part No	
	Inch / mm	mm							Imperial / Metric	Imperial / Metric		
4150	1/4"	6.35	32	26	16	22	20	3	1/4"	M16	201414-I	201414
	3/8"	9.52	44	31	19	32	25	3	3/8"	M20	203838-I	203838
	9/16"	14.3	65	52	32	45	40	5	9/16"	M30	209191-I	209191

* Body Thickness

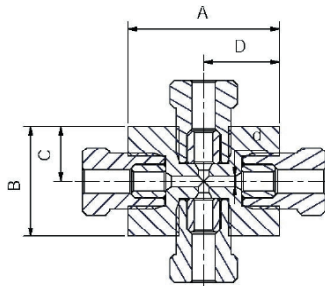
Tees



MWP (Bar)	Tubing OD		A	B	C	D	E*	Orifice (d)	Connection		Part No	
	Inch / mm	mm							Imperial / Metric	Imperial / Metric		
4150	1/4"	6.35	32	26	16	22	20	3	1/4"	M16	301414-I	301414
	3/8"	9.52	44	31	19	32	25	3	3/8"	M20	303838-I	303838
	9/16"	14.3	65	52	32	45	40	5	9/16"	M30	309191-I	309191

* Body Thickness

Crosses



MWP (Bar)	Tubing OD		A	B	C	D	E*	Orifice (d)	Connection		Part No	
	Inch / mm	mm							Imperial / Metric	Imperial / Metric		
4150	1/4"	6.35	32	26	16	22	20	3	1/4"	M16	401414-I	401414
	3/8"	9.52	44	31	19	32	25	3	3/8"	M20	403838-I	403838
	9/16"	14.3	65	52	32	45	40	5	9/16"	M30	409191-I	409191

* Body Thickness